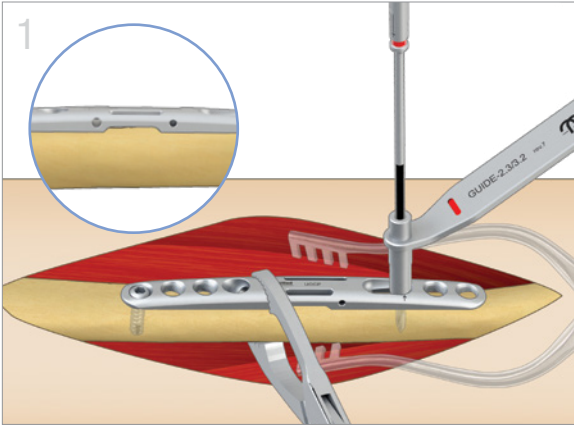




# Ulnar Osteotomy Compression Plate

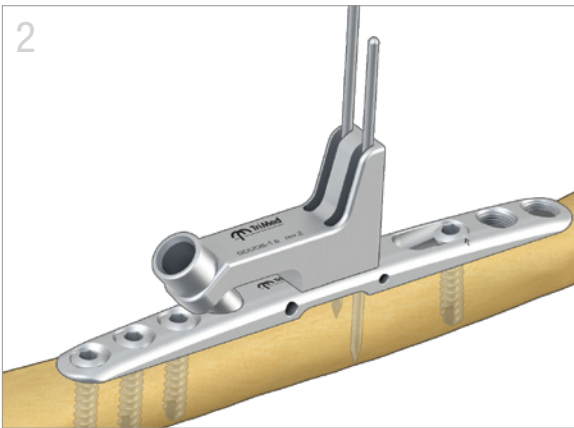
Surgical Technique | *TriMed Ulnar Osteotomy System*





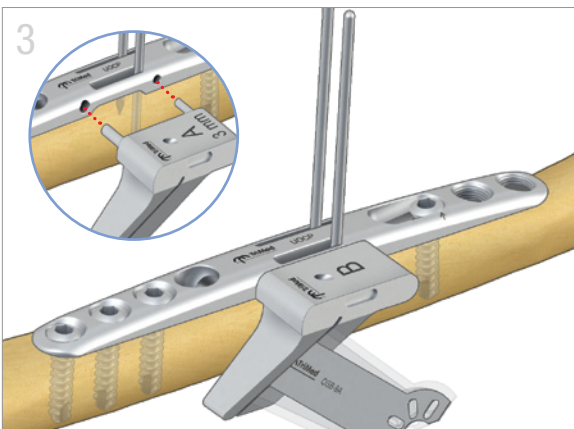
## Plate Application

- Expose the ulna. Apply the plate to the bone and position it to avoid distal impingement.
- Ensure that the two small instrument holes on the side of the plate are visible.
- Drill using the 2.3mm (red) drill and insert
  - 3.2mm screw into the hole at the far end of the plate opposite the slotted hole.
  - 3.2mm non-locking screw into the slotted hole at the end furthest from the osteotomy site marked by arrows.



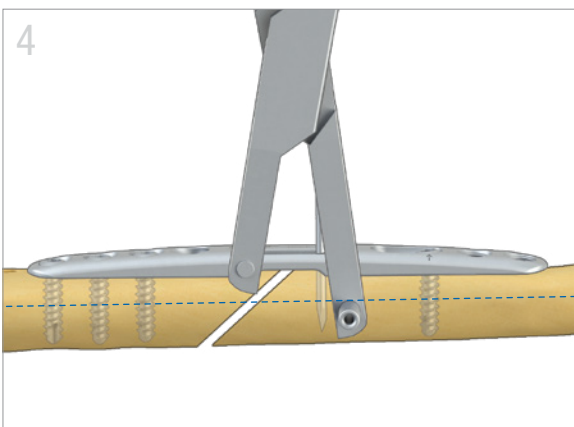
## Pin Fixation

- Insert two additional 3.2mm screws adjacent to the end hole, opposite the slotted hole.
- Place the Combination Drill Guide on the plate.
- Insert the short 1.6mm (0.062") K-wire flush along the back wall of the pin slot in the Combination Drill Guide and through one cortex.
- Repeat with the longer K-wire and remove the Combination Drill Guide.



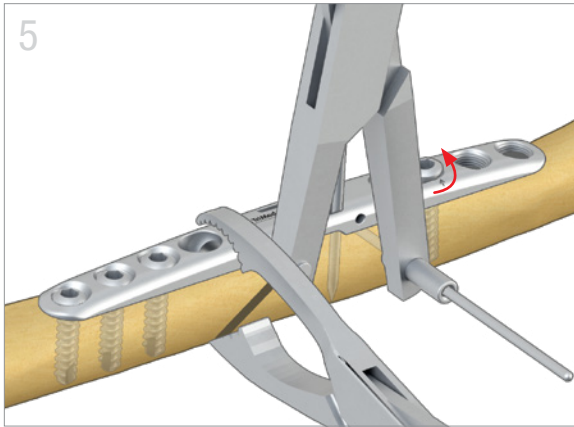
## Osteotomy

- Select the appropriate 'A' Saw Guide based on the planned resection (2, 3, 4 or 5mm) and insert into the plate. Hold the guide with the Bone Clamp or 1.6mm K-wire (see Tips).
- Make the cut with a saw blade of 0.4mm thickness and irrigate liberally.
- Remove 'A' Saw Guide and insert 'B' Saw Guide. Make the second cut and remove bone wafer.



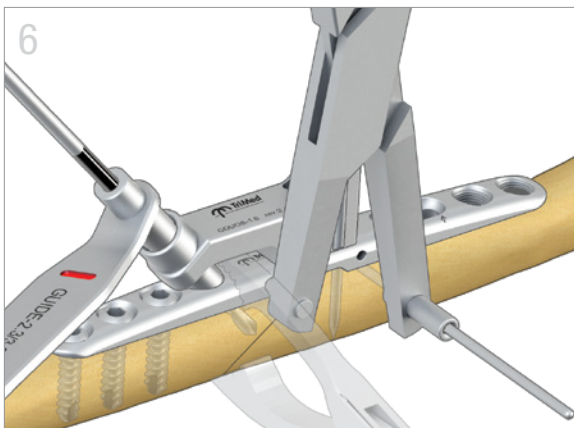
## Compression Clamp Application

- Insert the Compression Clamp into the hole on the fixed edge of the plate.
- Adjust the clamp so the K-wire sleeve is just below the central axis of the ulna and away from the osteotomy site.
- Insert a 1.6mm (0.062") K-wire through the sleeve and engage the far cortex.



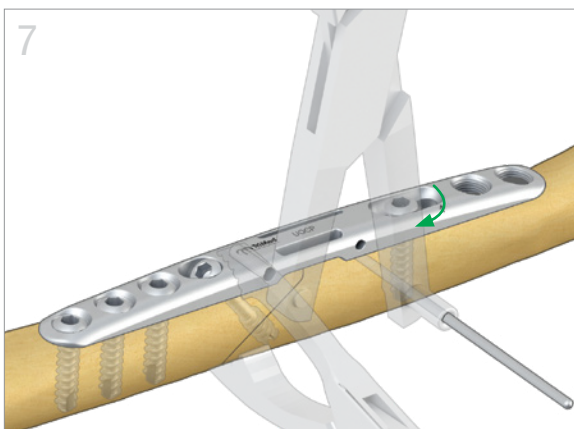
## Osteotomy Compression

- Loosen the screw in the slotted hole **1/4** turn.
- Shorten the ulna with Compression Clamp. Use a Bone Clamp for added compression of the osteotomy site.
- Check both sides of the osteotomy site for bone coaptation.



## Lag Screw Hole Preparation

- Re-apply the Combination Drill Guide and drill a lag screw hole using 2.3mm (red) drill and guide.
- Remove the Combination Drill Guide.
- Measure the long side of the hole with the Depth Gauge.
- Use the bone tap to ensure that the lag screw threads easily.



## Lag Screw Insertion

- Insert lag screw ensuring purchase with the far cortex.
- Re-tighten the cortical screw in the slotted hole and ensure the osteotomy remains compressed.

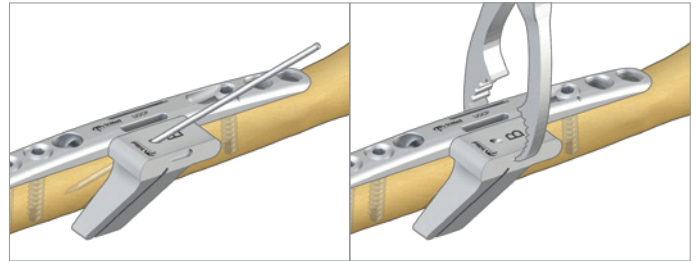


## Final Fixation

- Insert the remaining cortical screws.
- Remove K-wires and Bone Clamp.

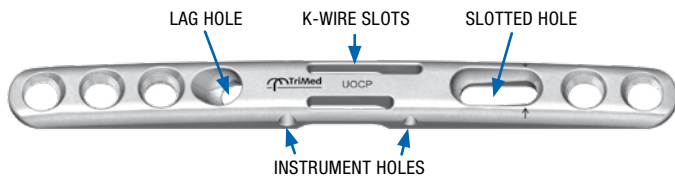
**TIPS**

- A 1.6mm K-wire or the Bone Clamp can be used to stabilize the cutting guides to the plate while osteotomy cuts are made.
- Osteotomies larger than 5mm may be made by performing successive cuts.



**Ulnar Osteotomy Compression Plate**

UOCP



**Combination (Drill Guide)**

GDUOS-1.6



**Cortical Screw**

HEX3.2-xx  
10mm to 18mm



**Cortical Locking Screw**

LCBS3.2-xx  
10mm to 18mm



**Cortical Lag Screw**

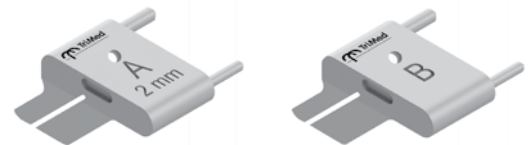
LAG3.2-xx  
14mm to 26mm



**Saw Guide**

UOSG-A-x  
02mm to 05mm

UOSG-B



**K-Wire**

WIRE-1.6/065  
WIRE-1.6/100



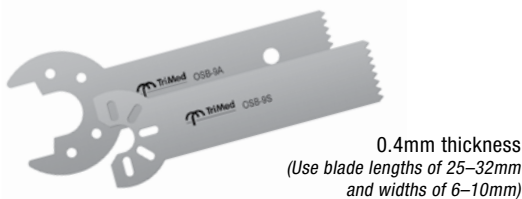
**Compression Clamp**

COMPC-UOS



**Saw Blade**

OSB-9x



**Bone Clamp**

OBC



TriMed, Inc. / 27533 Avenue Hopkins / Santa Clarita, CA 91355 USA / 800-633-7221 / [www.trimedortho.com](http://www.trimedortho.com)

The technique presented is one suggested surgical technique. The decision to use a specific implant and the surgical technique must be based on sound medical judgment by the surgeon that takes into consideration factors such as the circumstances and configuration of the injury.

This document is controlled by TriMed, Inc. When downloaded, printed, and/or copied, this document becomes uncontrolled, and users should always check [trimedortho.com](http://trimedortho.com) for the latest version.

For indications, contraindications, warnings and precautions related to TriMed Ulnar Osteotomy System reference IFU on [trimedortho.com/ifu](http://trimedortho.com/ifu).

See [trimedortho.com/patents](http://trimedortho.com/patents) for all patent information.