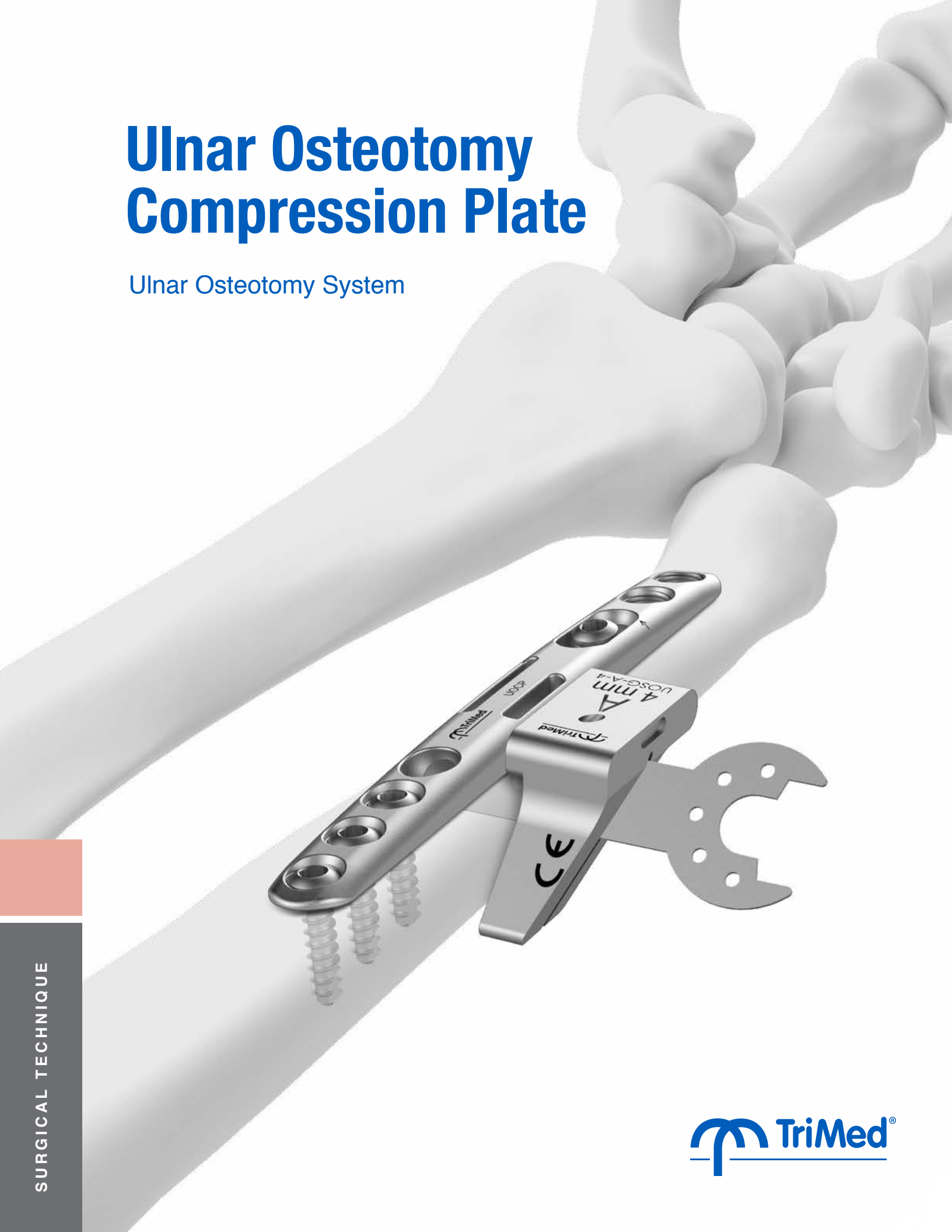
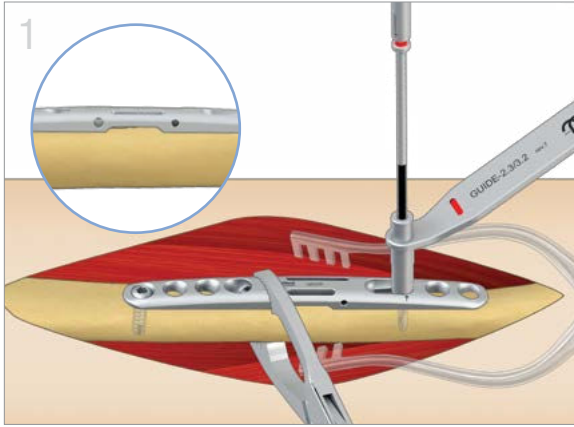


# Ulnar Osteotomy Compression Plate

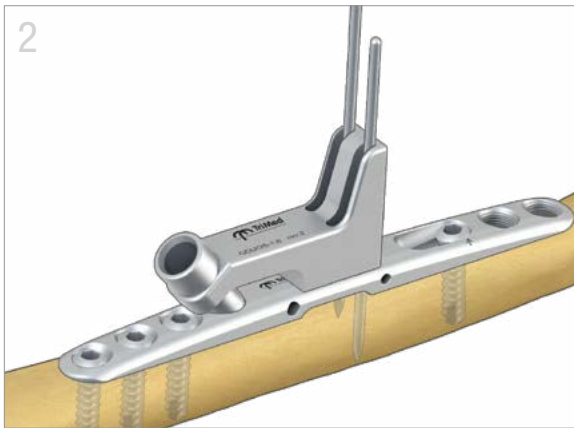
Ulnar Osteotomy System





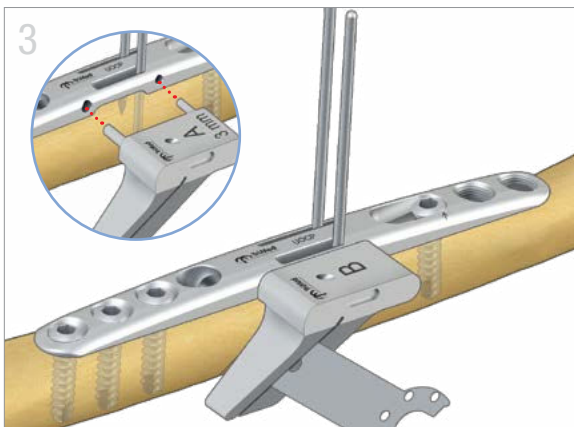
### Plate Application

- Expose the ulna. Apply the plate to the bone and position it to avoid distal impingement.
- Ensure that the two small instrument holes on the side of the plate are visible.
- Drill using the 2.3mm (red) drill and insert
  - 3.2mm screw into the hole at the far end of the plate opposite the slotted hole.
  - 3.2mm non-locking screw into the slotted hole at the end furthest from the osteotomy site marked by arrows.



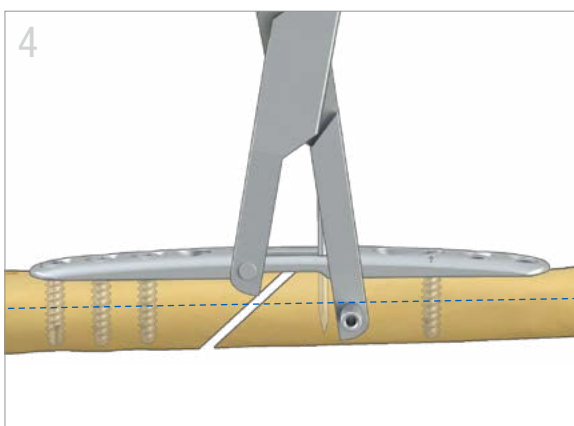
### Pin Fixation

- Insert two additional 3.2mm screws adjacent to the end hole, opposite the slotted hole.
- Place the Combination Drill Guide on the plate.
- Insert the short 1.6mm (0.062") K-wire flush along the back wall of the pin slot in the Combination Drill Guide and through one cortex.
- Repeat with the longer K-wire and remove the Combination Drill Guide.



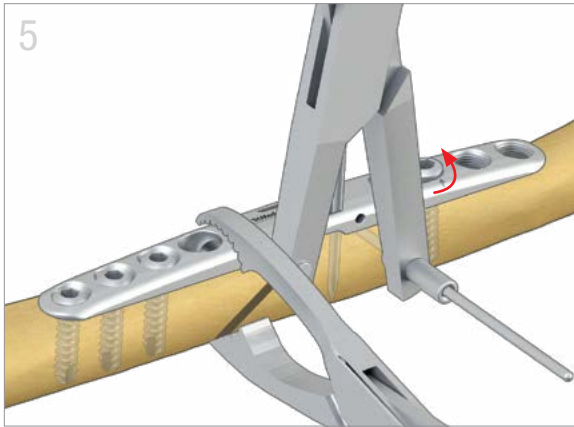
### Osteotomy

- Select the appropriate 'A' Saw Guide based on the planned resection (2, 3, 4 or 5mm) and insert into the plate. Hold the guide with the Bone Clamp or 1.6mm K-wire (see Tips).
- Make the cut with a saw blade of 0.4mm thickness and irrigate liberally.
- Remove 'A' Saw Guide and insert 'B' Saw Guide. Make the second cut and remove bone wafer.



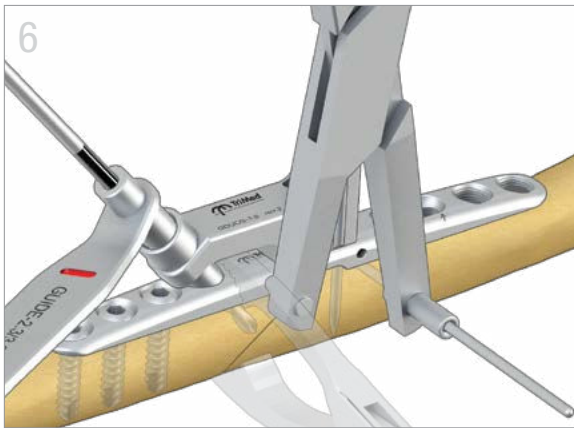
### Compression Clamp Application

- Insert the Compression Clamp into the hole on the fixed edge of the plate.
- Adjust the clamp so the K-wire sleeve is just below the central axis of the ulna and away from the osteotomy site.
- Insert a 1.6mm (0.062") K-wire through the sleeve and engage the far cortex.



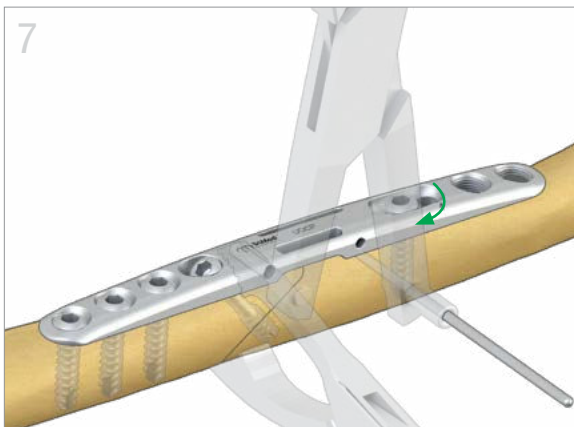
### Osteotomy Compression

- Loosen the screw in the slotted hole **1/4** turn.
- Shorten the ulna with Compression Clamp. Use a Bone Clamp for added compression of the osteotomy site.
- Check both sides of the osteotomy site for bone coaptation.



### Lag Screw Hole Preparation

- Re-apply the Combination Drill Guide and drill a lag screw hole using 2.3mm (red) drill and guide.
- Remove the Combination Drill Guide.
- Measure the long side of the hole with the Depth Gauge.
- Use the bone tap to ensure that the lag screw threads easily.



### Lag Screw Insertion

- Insert lag screw ensuring purchase with the far cortex.
- Re-tighten the cortical screw in the slotted hole and ensure the osteotomy remains compressed.
- Before removing the K-wire, release tension on the Compression Clamp by unlocking the ratchet.

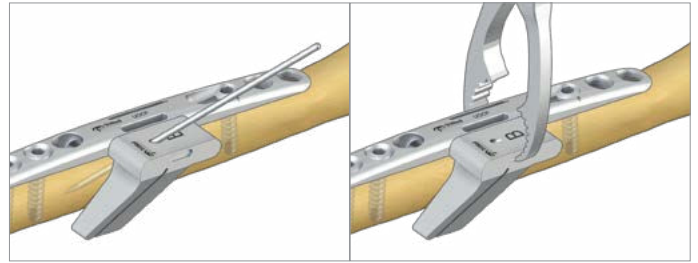


### Final Fixation

- Insert the remaining cortical screws.
- Remove K-wires and Bone Clamp.

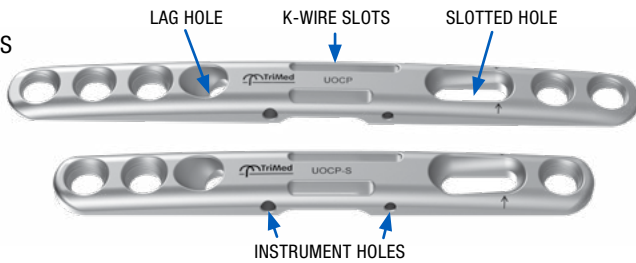
**TIPS**

- A 1.6mm K-wire or the Bone Clamp can be used to stabilize the cutting guides to the plate while osteotomy cuts are made.
- Osteotomies larger than 5mm may be made by performing successive cuts.



**Ulnar Osteotomy Compression Plate**

UOCP  
UOCP-S



**Combination (Drill Guide)**

GDUOS-1.6



**Cortical Screw**

HEX3.2-xx  
10mm to 18mm



**Cortical Locking Screw**

LCBS3.2-xx  
10mm to 18mm



**Cortical Lag Screw**

LAG3.2-xx  
14mm to 26mm



**Saw Guide**

UOSG-A-x  
02mm to 05mm



UOSG-B



**K-Wire**

WIRE-1.6/065  
WIRE-1.6/100



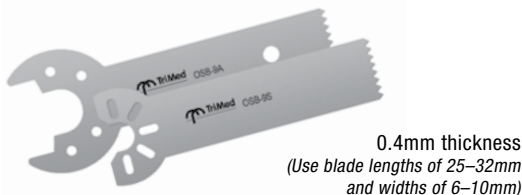
**Compression Clamp**

COMPC-UOS



**Saw Blade**

OSB-9x



**Bone Clamp**

OBC

